
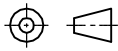


RELATED DOCUMENTS		3RD ANGLE PROJECTION		THIS DRAWING IS CONFIDENTIAL AND THE PROPERTY OF TURCK INC. USE OF THIS DOCUMENT WITHOUT WRITTEN PERMISSION IS PROHIBITED.		 3000 CAMPUS DRIVE MINNEAPOLIS, MN 55441 1-800-544-7769 (763) 553-7300 (763) 553-0708 fax www.turck.us	
1. 2. 3. 4.				DRFT RDS	DATE 05/05/03	DESCRIPTION	
MATERIAL ALUMINUM		ALL DIMENSIONS DISPLAYED ON THIS DRAWING ARE FOR REFERENCE ONLY		DSGN	SCALE 1=1.0	CA24E-Q21	
FINISH		CONTACT TURCK FOR MORE INFORMATION		UNIT OF MEASUREMENT		IDENTIFICATION NO.	
				INCH [MILLIMETER]		A0873	
A DRAWING RELEASE		RDS	06/30/03	DO NOT SCALE THIS DRAWING		REV	
REV	DESCRIPTION	BY	DATE	FILE: A0873		A	
			ECO NO.	SHEET 1 OF 1			